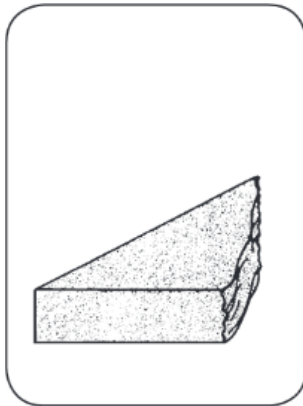


Dissipative Foam



*Consistent with ESD S541 section A.3 "Dissipative Material for Intimate Contact, To avoid rapid discharge to sensitive items, dissipative materials should be used as the layer of packaging that contacts the item."

**ESD Handbook TR20.20 paragraph 5.3.1.7 Electrical Considerations "[RTG is] The most important functional consideration for worksurfaces. This establishes the resistance of the primary path to ground for items, placed on the surface. When worksurface materials are being selected, consideration should be given to possible Charged Device Model (CDM) damage to ESD sensitive products. If CDM damage is a concern then setting a lower resistance limit for the worksurface should be considered. Typically, the lower limit for these types of worksurfaces is 1×10^6 ohms."

Description:

Protektive Pak's Cushion Grade Static Dissipative Foam is a non-abrasive, closed-cell Polyethylene Foam Compounded for Permanent ESD Control Properties. The ESD protective properties will not degrade; the foam is designed not to flake, slough, or contaminate products. The foam will electrically couple to a grounded ESD worksurface when placed on the worksurface. There is no need for a separate ground cord for the foam when used in this fashion. The 1.9 lb/ft density provides cushioning protecting products from shock physical damage.



Made in America

Specifications:

Property	Test Method	Results
Density	ASTM D3575-91	1.9 lb/ft ³
Surface Resistance	ANSI/ESD S4.1	10E5 - 10E8 ohms
Corrosivity	TS 1021BA (UK MOD)	Pass
Water Extract	TS 1021BA (UK MOD)	Pass
Total Chlorine	TS 1021BA (UK MOD)	Pass
Recommended Operating Temperature Range	Internal	+200°F to -95°F
Tear Strength	ASTM D3575-91	14 lbf/in
Tensile Strength	ASTM D2575-91	44 psi

Item	Thickness	Size (in.)
37700	1/8	40 x 75
37701	1/4	40 x 75
37702	3/8	40 x 75
37703	1/2	40 x 75

*Dimensions are nominal; thickness is $\pm 1/16$ ".

Unless specified tolerance $\pm 10\%$

Specifications and procedures subject to change without notice.

Black Cushion Grade Static Dissipative Foam

PROTEKTIVE PAK

PROTEKTIVE PAK
13520 MONTE VISTA AVENUE CHINO, CA 91710
PHONE (909) 627-2578, FAX (909) 363-7331
ProtektivePak.com

DRAWING NUMBER
37700

DATE:
April
2011